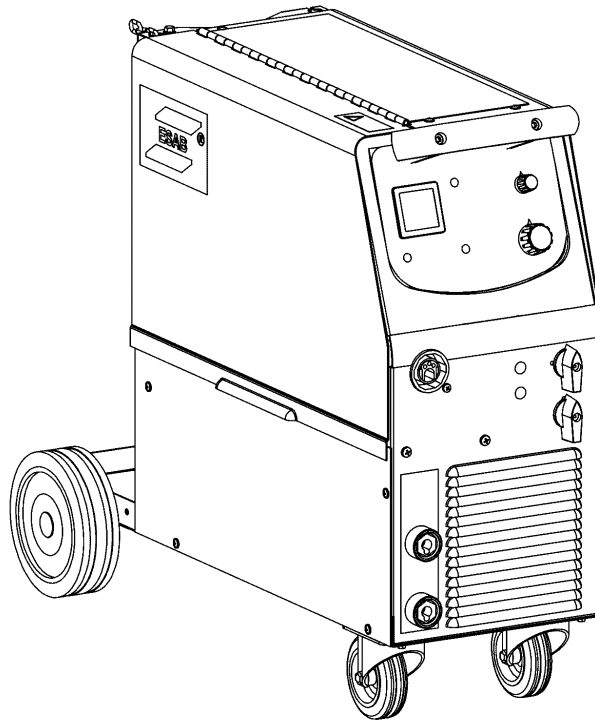


**Spare parts list**

Edition 20120709



**Valid for serial no. 626-xxx-xxxx**

<b>Ordering no.</b>	<b>Product</b>	<b>Notes</b>
0349 308 670	Origo™ Mig C170 3ph	400–415V 3~50/60Hz
0349 308 290	Origo™ Mig C200 3ph	400–415V 3~50/60Hz
0349 307 840	Origo™ Mig C250 3ph	400–415V 3~50/60Hz
0349 309 090	Origo™ Mig C250 3ph	230/400–415V 3~50/60Hz

Spare parts are to be ordered through the nearest ESAB agency. Kindly indicate type of unit, serial number, denominations and ordering numbers according to the spare parts list.

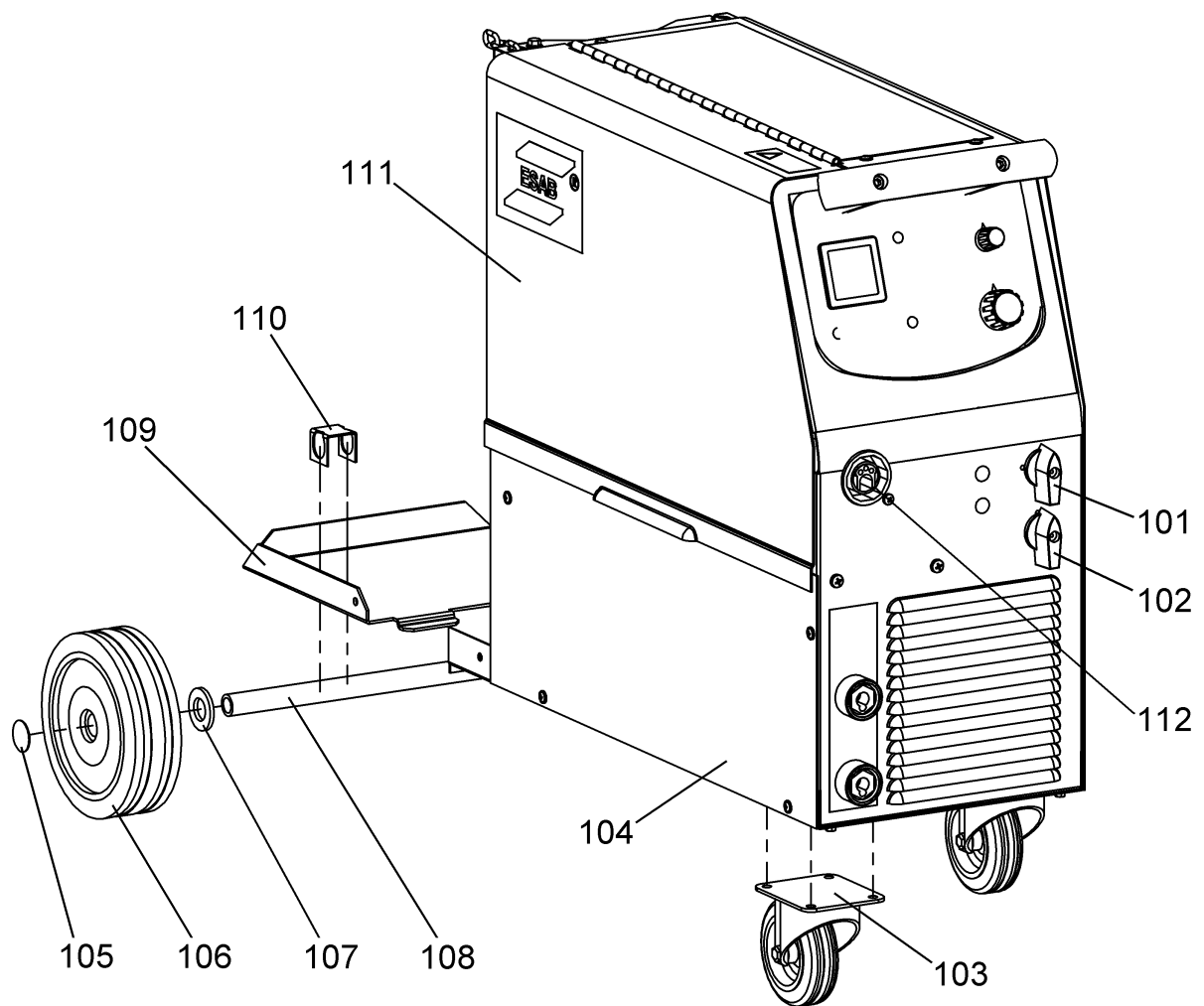
Maintenance and repair work should be performed by an experienced person, and electrical work only by a trained electrician. Use only recommended spare parts.

Rights reserved to alter specifications without notice.

## Mig C170 3ph / C200 3ph / C250 3ph

Item	Qty C170 3ph	Qty C200 3ph	Qty C250 3ph	Ordering no.	Denomination	Notes
101	1	1	1	0349 302 305	Switch	ON/OFF
102	-	1	1	0193 945 001	Switch	
	1	-	-	0349 308 873	Switch	
103	2	2	2	0469 468 001	Link wheel	Ø77
104	1	1	1	0349 305 673	Side panel	
105	2	2	2	0349 483 454	Cap	
106	2	2	2	0469 469 001	Wheel	Ø175
107	2	2	2	0349 481 044	Washer	Ø21
108	1	1	1	0349 309 765	Shaft	Ø20
109	1	1	1	0349 306 593	Shelf	
110	2	2	2	0349 306 892	Axle bracket	
111	1	1	1	0349 305 672	Cover cpl.	
112	1	1	1		Wire feed mechanism	See page 14

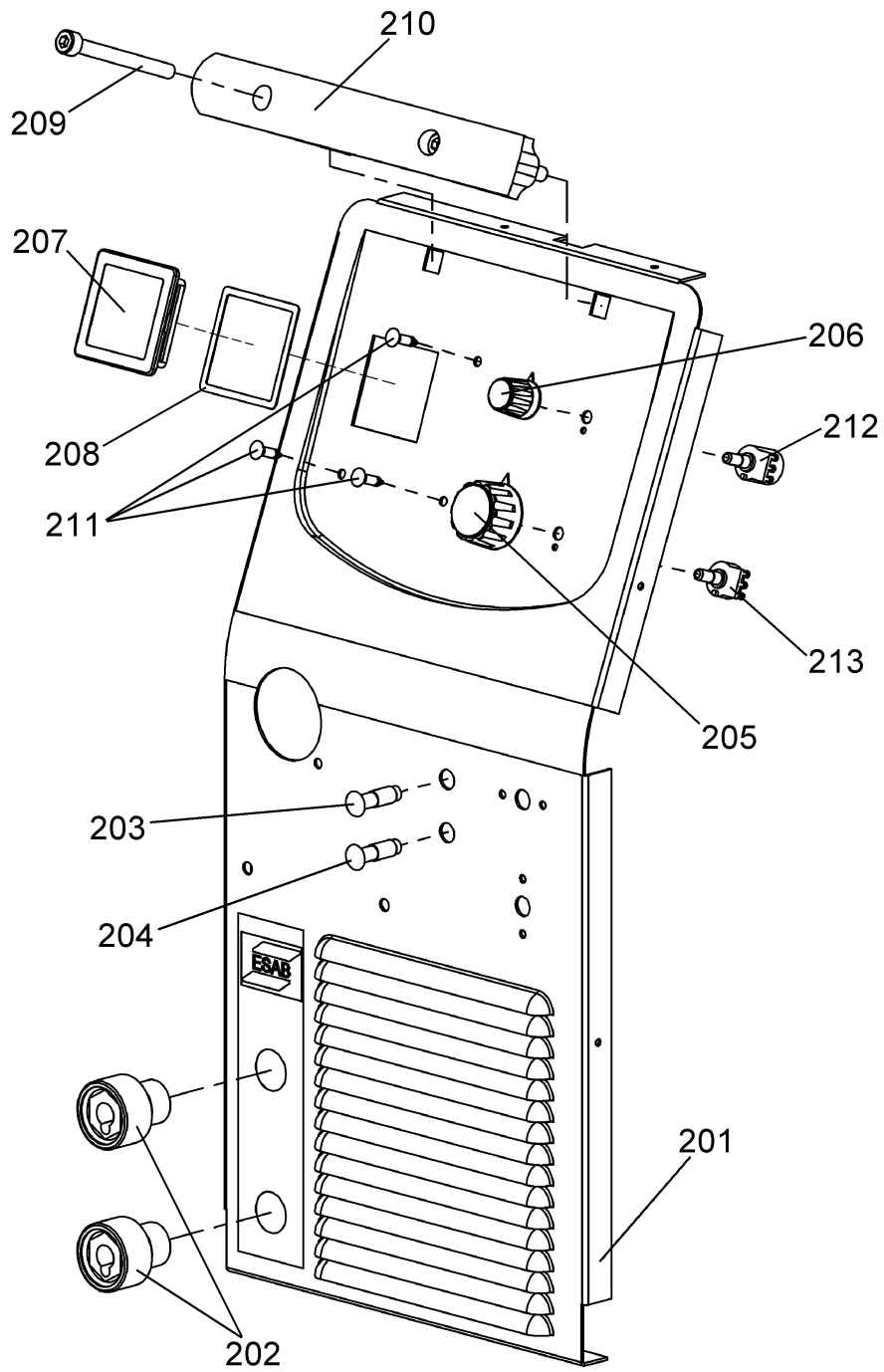
**Mig C170 3ph / C200 3ph / C250 3ph**



**Mig C170 3ph / C200 3ph / C250 3ph**

Item	Qty C170 3ph	Qty C200 3ph	Qty C250 3ph	Ordering no.	Denomination	Notes
201	-	-	1	0349 308 206	Front plate	orange
	-	1	-	0349 308 914	Front plate	
	1	-	-	0349 308 977	Front plate	
202	-	-	2	0160 362 881	Current terminal	
	1	1	-	0349 305 481	Gland with lock	
203	1	1	1	0369 733 005	Signal lamp	
204	1	1	1	0369 733 007	Signal lamp	
205	1	1	1	0191 510 104	Knob	
206	1	1	1	0349 302 093	Knob	
207	1	1	1	0455 172 001	Glass	
208	1	1	1	0455 174 001	Seal	
209	2	2	2	0349 306 344	Screw	
210	1	1	1	0349 305 239	Handle	
211	3	3	3	0455 226 004	Spacer	
212	1	1	1	0349 305 837	Potentiometer cpl.	
213	1	1	1	0349 305 836	Potentiometer cpl.	

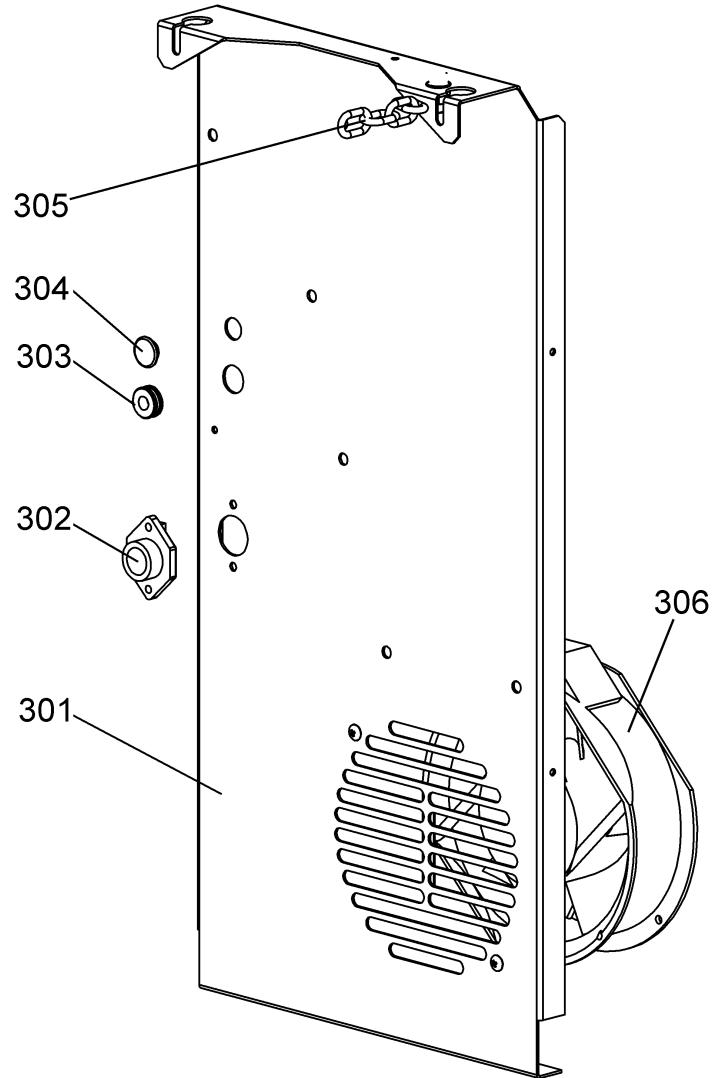
Mig C170 3ph / C200 3ph / C250 3ph



**Mig C170 3ph / C200 3ph / C250 3ph**

<b>Item</b>	<b>Qty</b>	<b>Ordering no.</b>	<b>Denomination</b>	<b>Notes</b>
301	1	0349 305 670	Rear plate	
302	1	0349 305 481	Gland with lock	
303	1	0349 490 192	Grommet	Ø16
304	1		Blind plug	Ø13
305	1	0321 173 001	Securing chain	
306	1	0349 483 510	Fan	

**Mig C170 3ph / C200 3ph / C250 3ph**

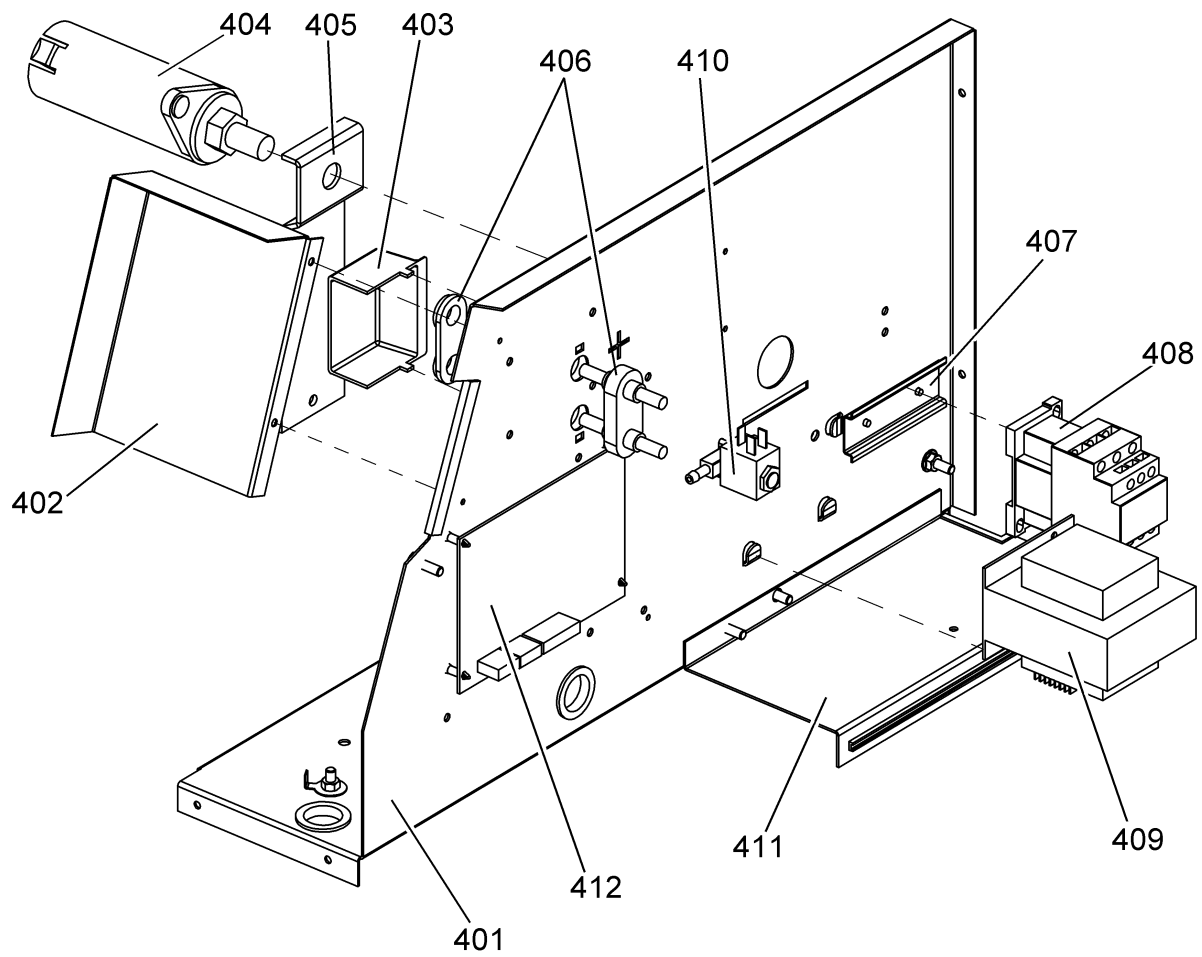


## Mig C170 3ph / C200 3ph / C250 3ph

Item	Qty C170 3ph	Qty C200 3ph	Qty C250 3ph	Ordering no.	Denomination	Notes
401	1	1	1	0349 305 642	Intermediate plate	valid up to machine No.: 626-702-xxxx
402	1	1	1	0349 305 966	Shield	
403	-	1	1	0456 185 002	Cover	
404	1	1	1	0146 967 881	Brake hub	
405	1	1	1	0349 306 762	Support	
406	-	1	1	0469 378 880	Terminal insulation KIT	
407	1	1	1	0349 302 421	Bracket	
408	-	-	1	0349 484 210	Contacteur	
	1	1	-	0349 308 876		
409	1	1	1	0469 563 001	Transformer	
	1	1	1	0349 310 250	Transformer	
410	1	1	1	0349 483 648	Gas valve	
411	1	1	1	0349 306 246	Shield	
412	1	1	1	0349 306 301	Circuit board	



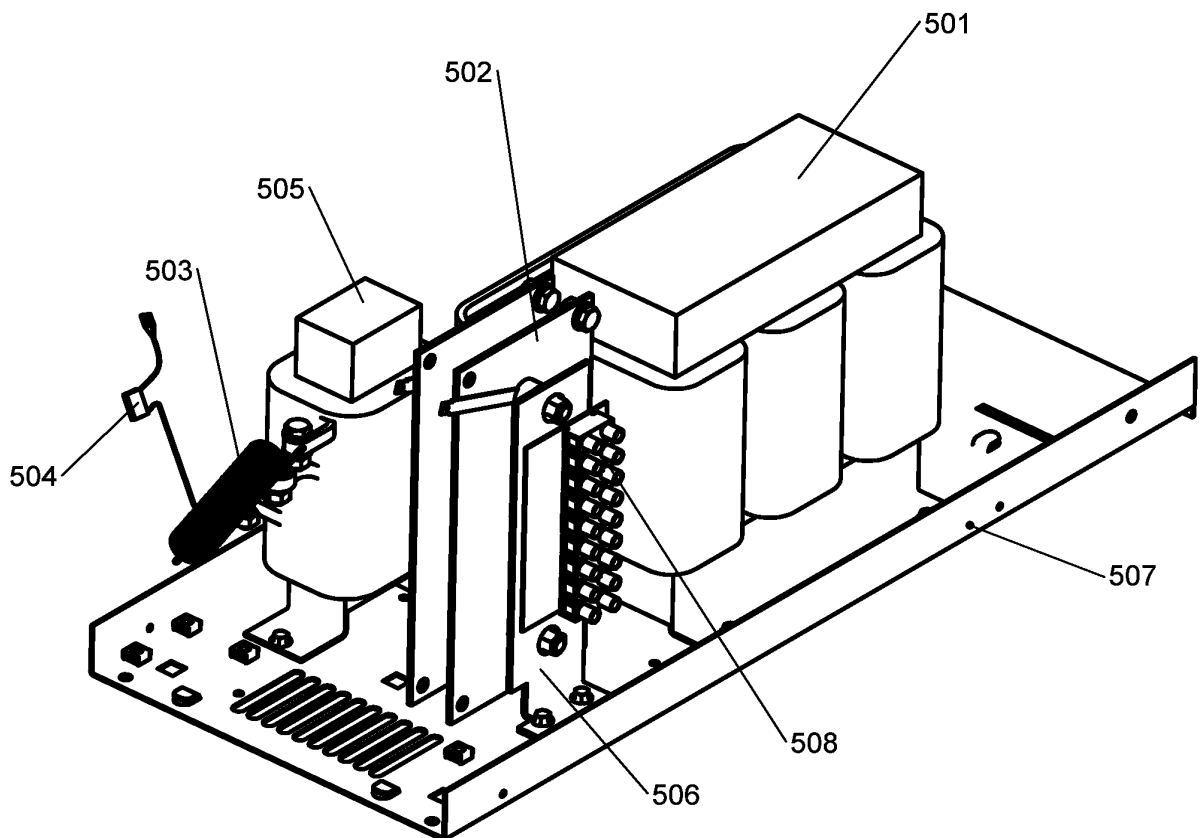
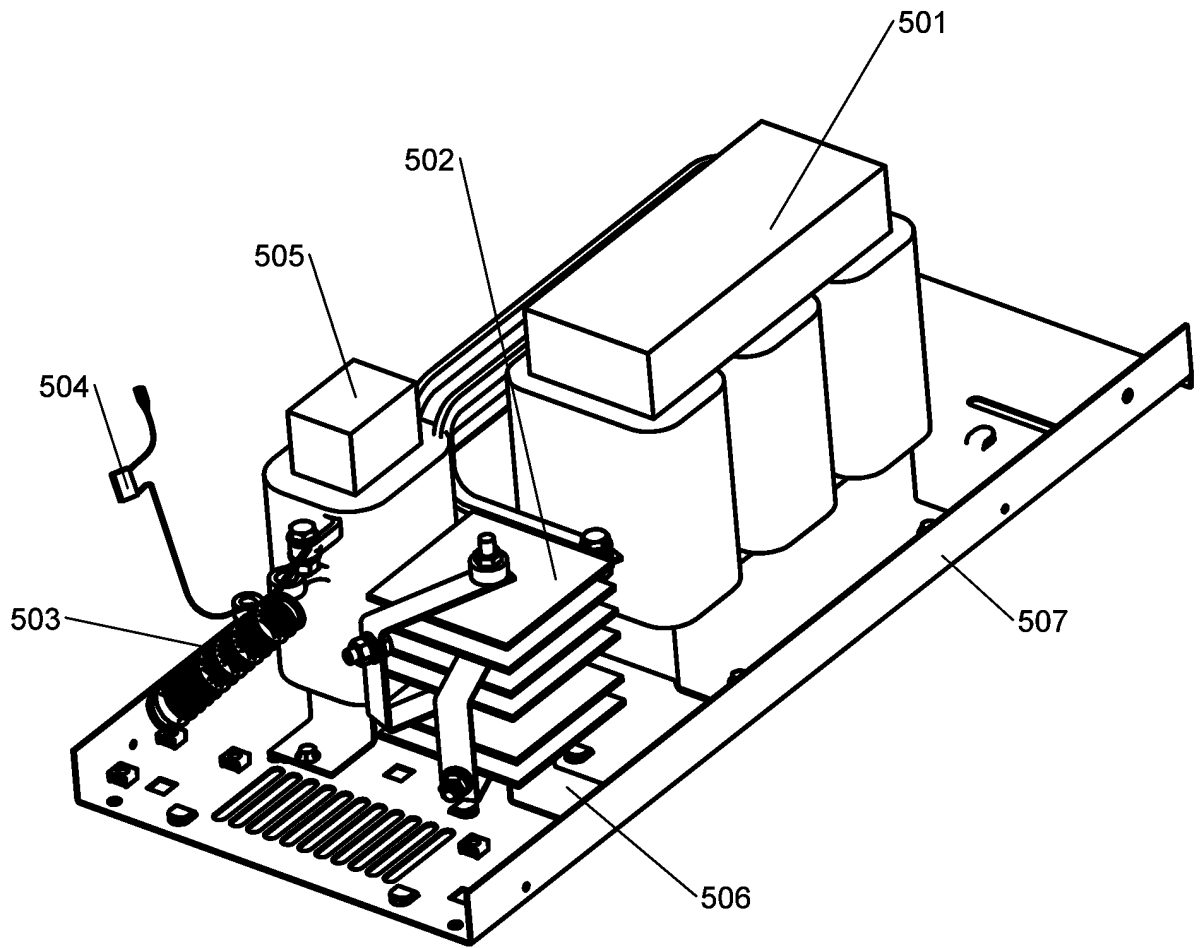
Mig C170 3ph / C200 3ph / C250 3ph



## Mig C170 3ph / C200 3ph / C250 3ph

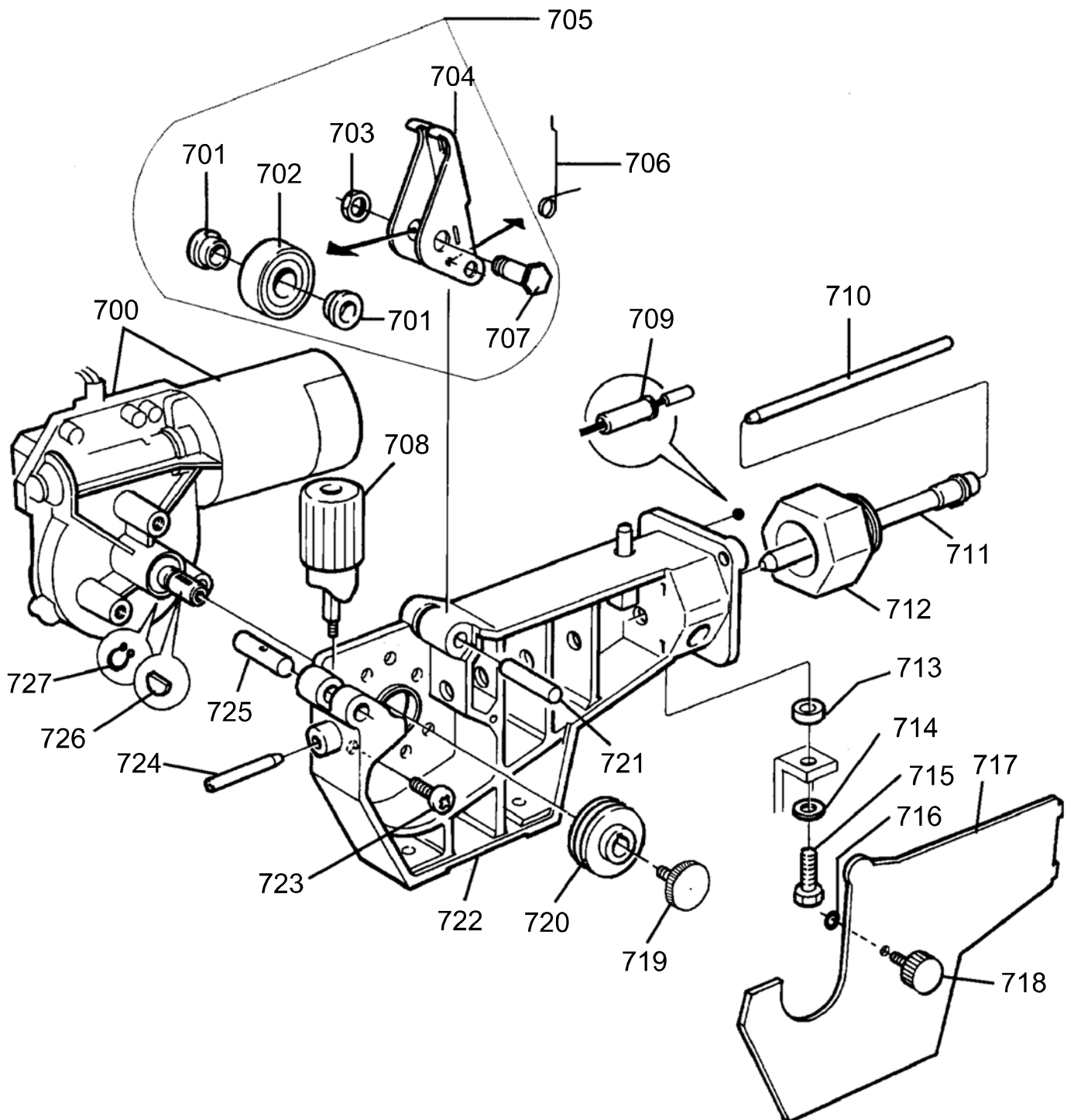
Item	Qty C170 3ph	Qty C200 3ph	Qty C250 3ph	Qty C250 3ph*	Ordering no.	Denomination	Notes
501	-	-	1	1	0349 307 808	Transformer	
	-	-	1	1	0349 309 784	Thermal switch	
	-	1	-	-	0349 308 304	Transformer	
	-	1	-	-	0349 308 084	Thermal switch	
	1	-	-	-	0349 308 289	Transformer	
502	-	-	1	1	0455 815 880	Rectifier brigde	
	1	1	-	-	0349 484 146	Rectifier brigde	
503	1	1	1	1	0349 308 424	Resistor	
504	1	1	1	1	0349 302 352	Capacitor	
505	-	-	1	1	0349 307 371	Inductor	
	-	1	-	-	0349 309 035	Inductor	
	1	-	-	-	0349 309 020	Inductor	
	1	-	-	-	0349 308 084	Thermal switch	
506	-	-	1	1	0349 307 453	Bracket	
	-	1	-	-	0349 309 045	Bracket	
507	-	-	1	1	0349 306 843	Bottom plate	
	1	1	-	-	0349 305 633	Bottom plate	
508	-	-	-	1	0162 781 011	Terminal	

\* supply voltage - 230/400-415 V



## Mig C170 3ph / C200 3ph / C250 3ph

Item	Qty	Ordering no.	Denomination	Notes	C
-	1	0455 890 882	Wire feed mechanism	Complete, contains items 701-727	
700	-	0469 397 001	Drive unit		M1
	1	0466 489 001	Drive unit		M1
701	2	0455 906 001	Spacer sleeve		
702	1	0455 907 001	Pressure roller		
	1	0466 262 001	Pressure roller	Knurled	
703	1		Nut	SGA D8	
704	1		Holder		
705	1	0367 529 001	Pressure arm	Complete, contains items 701-705	
706	1	0455 896 001	Spring		
707	1		Shaft		
708	1	0368 749 880	Pressure transducer		
709	2	0368 750 001	Insulating sleeve		
710a	1	0455 894 001	Insert tube	Plastic, must be used together with item 715a. For welding with Al wire.	
710b	1	0455 889 001	Insert tube	Steel, must be used together with item 715b.	
711a	1	0455 885 001	Outlet nozzle	Must be used together with item 714a. For welding with Al wire.	
711b	1	0455 886 001	Outlet nozzle	Must be used together with item 714b.	
712	1	0455 882 001	Current sleeve		
713	1	0455 883 001	Spacer sleeve	Ø16/8.2x0.9	
714	1		Washer	Ø16/8.4x1.5	
715	1		Screw	M8x20	
716	1	0215 201 202	O-ring		
717	1	0455 881 001	Protection plate		
718	1		Screw	M5x12	
719	1	0349 308 502	Screw	M4x10	
720	1	0367 556 001	Feed roller	Ø0.6-0.8mm Fe, Ss, cored wire	
	1	0367 556 002	Feed roller	Ø0.8-1.0mm Fe, Ss, cored wire	
	1	0367 556 003	Feed roller	Ø1.0-1.2mm Fe, Ss, cored wire	
	1	0367 556 004	Feed roller	Ø1.0-1.2mm Al wire	
721	1	0455 893 001	Shaft		
722	1	0455 884 001	Gear housing		
723	3		Screw	M6x16	
724	1	0466 074 001	Inlet nozzle		
725	1	0367 528 001	Pin bolt		
726	1	0191 496 114	Key	Included in item 707	
727	1	0215 701 007	Locking washer	Included in item 707	



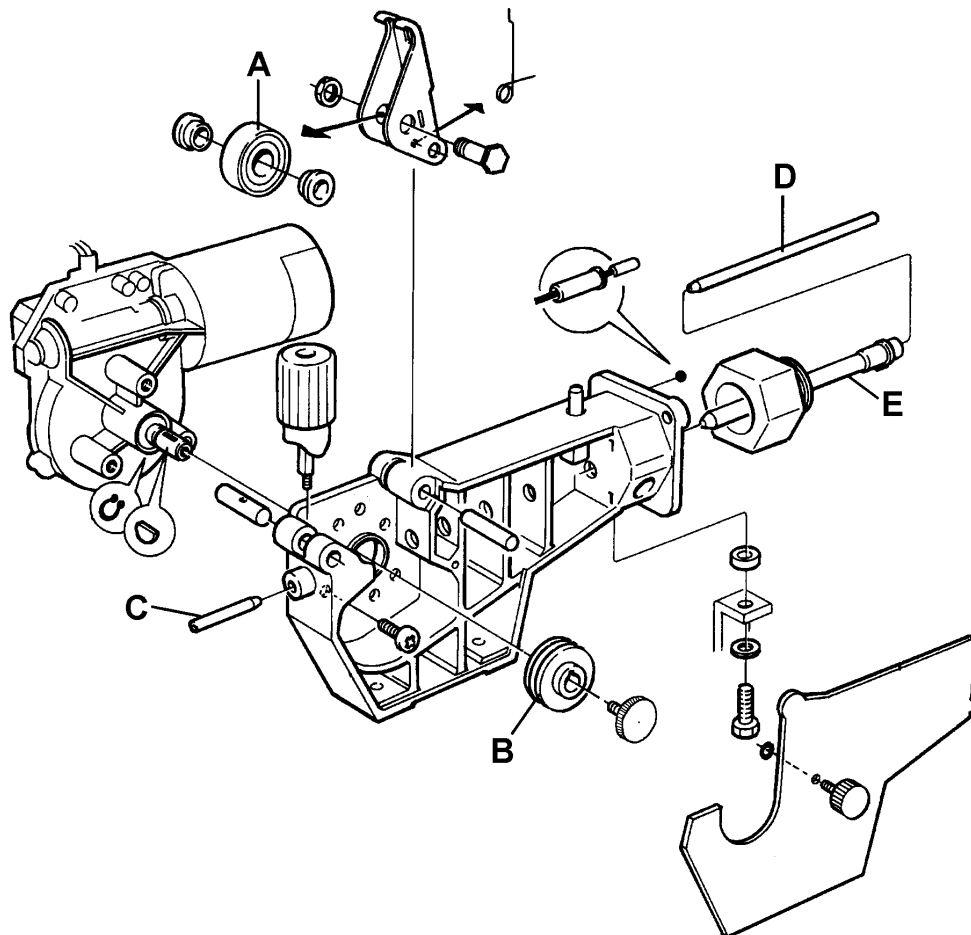
## Mig C170 3ph / C200 3ph / C250 3ph

### Wear components

(W. F. Mechanism 0455 890 882)

Item	Denomination	Ordering no.	Notes
A	Pressure roller	0455 907 001	
B	Feed roller	0367 556 001	Ø 0.6–0.8mm Fe, Ss, cored wire.
		0367 556 002	Ø 0.8–1.0mm Fe, Ss, cored wire.
		0367 556 003	Ø 1.0–1.2mm Fe, Ss, cored wire.
		0367 556 004	Ø 1.0–1.2mm Al wire.
C	Inlet nozzle	0466 074 001	
D	Insert tube	0455 894 001	Plastic, must be used together with item 0455 885 001, for welding with Al wire.
		0455 889 001	Steel, must be used together with item 0455 886 001.
E	Outlet nozzle	0455 885 001	Must be used together with item 0455 894 001, for welding with Al wire.
		0455 886 001	Must be used together with item 0455 889 001.

The rollers are marked with wire dimension in mm, some are also marked with inch.



### Welding with aluminium wires.

### ***Mig C170 3ph / C200 3ph / C250 3ph***

In order to weld with aluminium wires, proper rollers, nozzles and liners for aluminium wires **MUST** be used. It is recommended to use 3m long welding gun for aluminium wires, equipped with appropriate wear parts.

